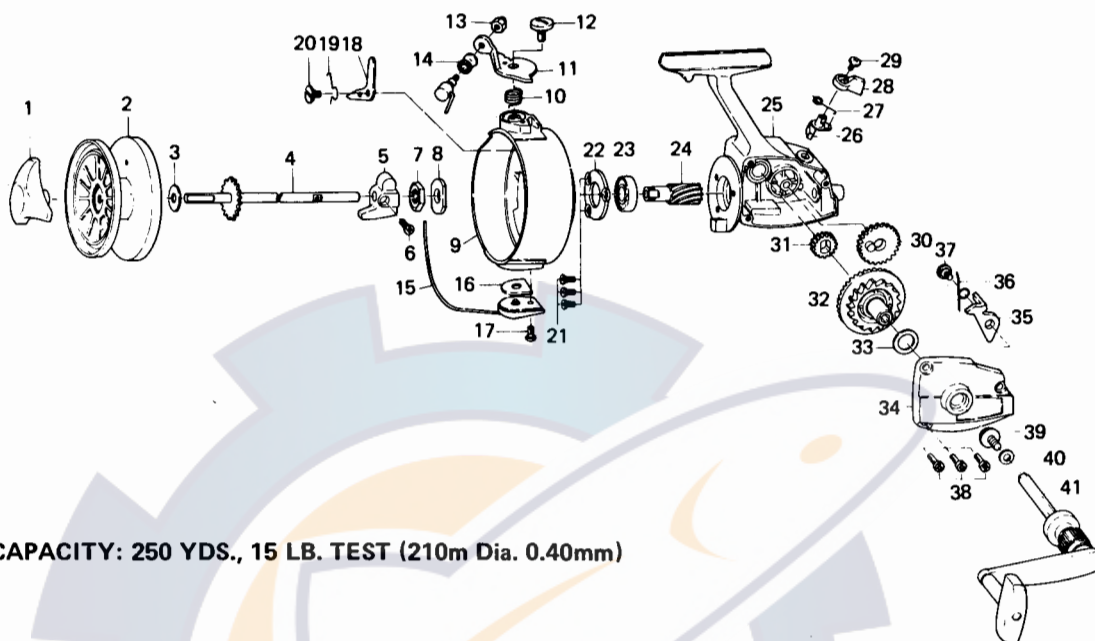




SPINNING REEL 7650HRL



LINE CAPACITY: 250 YDS., 15 LB. TEST (210m Dia. 0.40mm)

Key No.	Parts No.	Parts Name	Key No.	Parts No.	Parts Name
1	60051802	Drag knob	22	63206201	Ball bearing retaining washer
2	60004351	Spool assembly	23	66331001	Ball bearing
3	63712731	Spool washer	24	64014901	Pinion
4	67100711	Main shaft	25	67000421	Body
5	64806911	Oscillating slider	26	64606821	Anti-reverse cam
6	63518901	Oscillating slider screw	27	61422801	Anti-reverse cam spring
7	63404601	Rotor nut	28	65403711	Anti-reverse lever
8	63724901	Rotor retaining washer	29	63501931	Anti-reverse lever screw
9	62011231	Rotor	30	64121411	Oscillating gear
10	61412801	Bail spring	31	64011701	Oscillating pinion
11	62308411	Arm lever	32	64121501	Drive gear
12	63616611	Arm lever screw	33	63707510	Drive gear washer
13	63408501	Bail nut	34	67050211	Body cover
14	62502801	Line roller	35	61108511	Anti-reverse claw
15	67250211	Bail	36	61428001	Anti-reverse claw spring
16	62104301	Balancer	37	63502621	Anti-reverse claw screw
17	63516401	Bail holder screw	38	63518501	Body cover screw
18	65706811	Bail kick lever	39	63513631	Handle screw
19	61406231	Bail kick lever spring	40	63719521	Handle washer
20	63612901	Bail kick lever screw	41	67450541	Handle
21	63516102	Ball bearing ret. washer screw			

Darwa
Page 26
Date 12-75
Rev. No. 00